

# Genie® Superlift Contractor® SLC™-12, SLC-18 & SLC-24

## Specifications

Models	SLC-12		SLC-18		SLC-24	
	US	Metric	US	Metric	US	Metric
Working height - standard forks (forks down)	11 ft 2 in	3.40 m	16 ft 9 in	5.10 m	22 ft 3 in	6.78 m
Working height - standard forks (forks up)	12 ft 11 in	3.94 m	18 ft 6 in	5.64 m	24 ft	7.32 m
Working height - adjustable forks (forks down)	11 ft 2 in	3.40 m	16 ft 9 in	5.10 m	22 ft 3 in	6.78 m
Working height - adjustable forks (forks up)	12 ft 11 in	3.94 m	18 ft 6 in	5.64 m	24 ft	7.32 m
Working height - boom <sup>(2)</sup>	12 ft 2 in	3.70 m	17 ft 9 in	5.41 m	23 ft 3 in	7.10 m
<b>A</b> Height - stowed	7 ft 2 in	2.18 m	7 ft 2 in	2.18 m	7 ft 2 in	2.18 m
<b>B</b> Standard base Length - stowed	2 ft 10 in	0.86 m	2 ft 10 in	0.86 m	2 ft 10 in	0.86 m
<b>C</b> Standard base Length - operating	5 ft 3 in	1.60 m	6 ft 1 in	1.85 m	6 ft 9 in	2.06 m
<b>D</b> Width - stowed <sup>(1)</sup>	2 ft 7.5 in	0.80 m	2 ft 7.5 in	0.80 m	2 ft 7.5 in	0.80 m
Width - with stabilizers lowered	5 ft 6 in	1.68 m	5 ft 6 in	1.68 m	5 ft 6 in	1.68 m

### Productivity

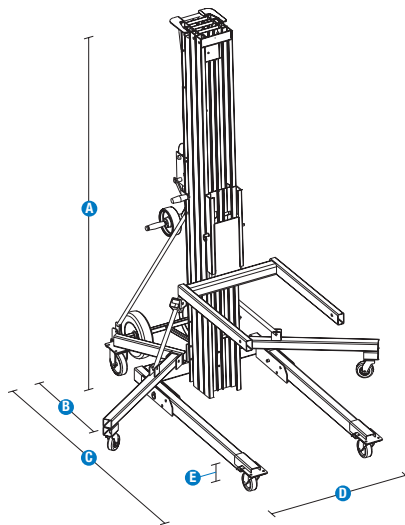
14 in (36 cm) load center	650 lb	295 kg	650 lb	295 kg	650 lb	295 kg
24 in (61 cm) load center	425 lb	193 kg	425 lb	193 kg	425 lb	193 kg
42 in (107 cm) load center	180 lb	82 kg	160 lb	73 kg	160 lb	73 kg
<b>E</b> Ground clearance	2 in	5 cm	2 in	5 cm	2 in	5 cm
Load height min.	6 in	15 cm	6 in	15 cm	6 in	15 cm

### Power

Average cranks - per length unit Standard winch - carriage moving	12.5/ ft	41/ m	12.5/ ft	41/ m	12.5/ ft	41/ m
Standard winch - mast moving	5.5/ ft	18/ m	5.5/ ft	18/ m	5.5/ ft	18/ m

### Weight and Floor Loading

Weight	225 lb	102 kg	307 lb	139 kg	347 lb	157 kg
--------	--------	--------	--------	--------	--------	--------



Load Handling Attachments	Dimensions		Weight	
	US	Metric	US	Metric
Standard forks assembly (l/w/d) <sup>(3)</sup>	28/23/2.5 in	71/58/6 cm	26.5 lb	12 kg
Standard fork size (each)	2.5/1.5 in	6/4 cm	-	-
Adjustable forks assembly (l/w/d) <sup>(3) (4)</sup>	27.5/11-30/2.5 in	70/28-76/6 cm	52.5 lb	24 kg
Adjustable fork size max (each)	3.0/1.5 in	7/4 cm	-	-
Fork extensions detached (each) (l/w/d) <sup>(3) (4)</sup>	30/2/3 in	76/5/8 cm	4.5 lb	2 kg
Fork extension attached (each) (l/w/d) <sup>(3) (4)</sup>	35/2/3 in	64/5/8 cm	4.5 lb	2 kg
Boom (l/w/d) <sup>(3)(4)</sup>	18,24,32,44/1.5/6 in	46,61,81,112/4/15 cm	39.9 lb	18 kg
Load platform (l/w/d) <sup>(3) (4)</sup>	26.3/23/2.5 in	67/58/6 cm	23.8 lb	11 kg

(1) Outside dimensions.

(2) For use with standard and adjustable forks only.

(3) Measured from ground to bottom of shackle.

(4) Length/width/depth, from end of carriage and outside of forks

# Genie® Superlift Contractor® SLC™ -12, SLC-18 & SLC-24

**SKU: Standard Model**

- **SLC12001A00001:** SLC-12
- **SLC18001A00001:** SLC-18, Stabilizer set
- **SLC24001A00002:** SLC-24, Stabilizer set

\* Build to Order

Option availability	S	S+	BtO
<b>Chassis</b>			
Heavy-duty design	✓	✓	✓
Portable compact design for easy transport and storage	✓	✓	✓
Quick setup requires no tools	✓	✓	✓
Rear transport wheel assembly	✓	✓	✓
Rolls easily through single door	✓	✓	✓
Stabilizer set (standard on SLC-18, SLC-24, not on Straddle base)			○
<b>Mast</b>			
Mast brake			○
One-speed manual winch, locks load in place	✓	✓	✓
Two speed winch (not available on SLC-12)			○
Glide rails allow easy loading and unloading	✓	✓	✓
Patented telescoping mast system	✓	✓	✓
Strong and lightweight aluminum telescoping mast	✓	✓	✓
Transport carriage lock	✓	✓	✓
<b>Wheels &amp; Casters</b>			
4in/10cm non-marking front casters	✓	✓	✓
5in/12cm rear casters with side brakes	✓	✓	✓
<b>Attachments</b>			
Durable standard steel forks	✓	✓	✓
Adjustable width forks		✓	✓
Boom		✓	✓
Fork extensions		✓	✓
Load platform		✓	✓
Pipe cradle (available aftermarket only)		✓	✓

- S Standard
- S+ Standard +
- BtO Build to Order
- ✓ Standard Features
- Options



Quick Setup



Truck Portable



Material Handling Attachments



Genie Genuine Accessories<sup>(1)</sup>

(1) More accessories available from Genie Genuine Parts.

Product specifications are subject to change without notice or obligation. Photographs and/or drawings herein are for illustrative purposes only. Refer to the appropriate Operator's Manual for instructions on proper equipment use. Failure to follow instructions in the Operator's Manual may result in serious injury or death. The only warranty applicable to our equipment is the standard written warranty applicable to the particular product and sale and we make no other warranty, express or implied. Products and services listed may be trademarks, service marks or trade names of Terex Corporation and/or their subsidiaries in the USA and many other countries. Terex, Genie, Xtra Capacity, Lift Power, Lift Guard, Lift Tools, Lift Connect and Tech Pro Link are registered trademarks of Terex Corporation or its subsidiaries.

Updated 11/21



A TEREX BRAND  
© 2021 Terex Corporation

